

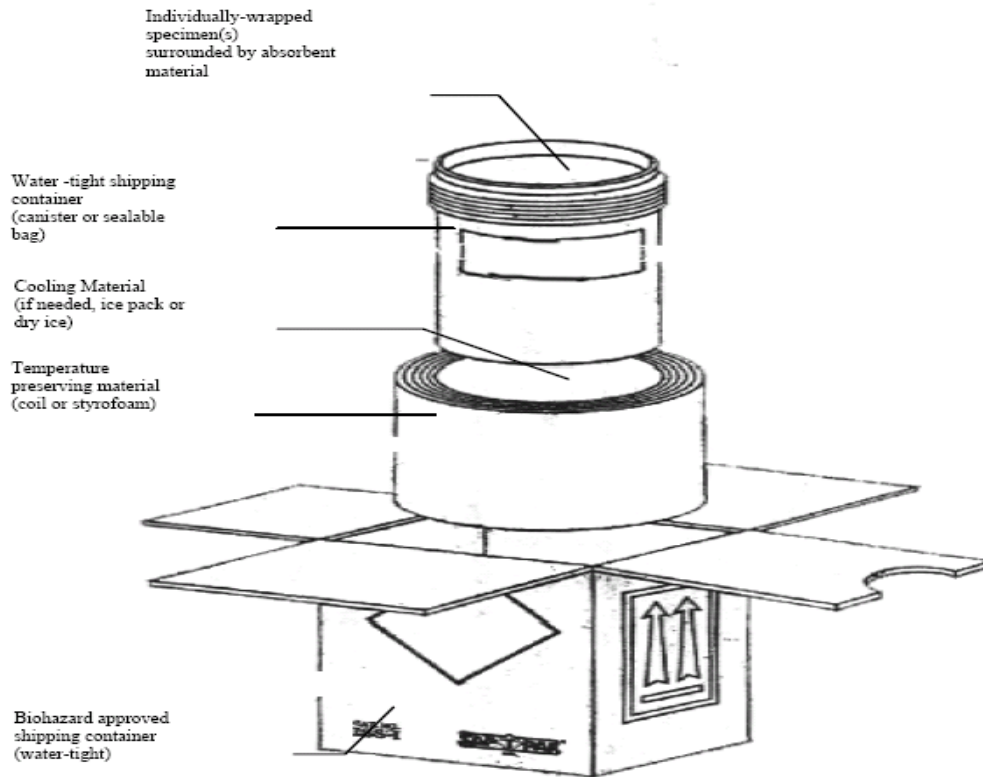
***PACKAGING AND SHIPMENT OF SPECIMEN***

**DO NOT SHIP SPECIMENS FOR ARRIVAL ON WEEKENDS OR FEDERAL HOLIDAYS.**

Sites submitting specimens must comply with all applicable Federal and State regulations concerning shipment for UN3373 Biological Substances, Category B. Minimum requirements for packaging and shipping follow:

- A. Package sample in a watertight primary container (i.e. Sample tube) and secondary container.
- B. Surround individually wrapped specimens with enough absorbent material to absorb entire content of tube if spillage occurs during transport.
- C. Wrap all vials individually to avoid contact with other tubes.
- D. Place each tube in a biohazard bag to contain spillage and avoid contaminating other tubes being shipped in the secondary container.
- E. Place request forms within the container in a waterproof sleeve separate from the tubes.
- F. Label container and ship specimens according to applicable guidelines (ie 49CFR and IATA regulations, UN3373 Biological Substances, Category B) for shipment of diagnostic specimens.
- G. Ship to: **9100 Brookville Road, BLDG 508, Silver Spring, MD 20910**
- H. **FAX/EMAIL/CALL TO NOTIFY THE LAB OF THE COMMERCIAL COURIER TRACKING AND/OR INVOICE NUMBER TO ENSURE ALL SHIPMENTS ARE RECEIVED.**

**Note:** If you would like your shipment boxes returned to your site, please enclose a prefilled FedEx or address slip with FedEx billing information and material to cover hazardous warnings.



**DELETION OR SUBSTITUTION OF ANY REQUIRED COMPONENTS MAY RENDER PACKAGES ILLEGAL FOR SHIPPING INFECTIOUS SUBSTANCES**

Version: May 2023